

DATASHEET

VECTRON POS 7 MINI VESA



VECTRON

System concept

Vectron POS 7 Mini VESA hardware and software in high-end quality. Thanks to the new modular system the new hardware offers a wide range of setting options and can be flexibly customized for all requirements. You can easily reposition the system box and mount it under a counter, for example. This facilitates the handling of cables and provides the option for wall mounting.

The small 11.6" display of the Vectron POS 7 Mini VESA can be mounted very discreetly and space-saving and shows numerous functions at a glance. The capacitive glass touch screen is energy-saving, wear-free and equipped with a swipe function. High-quality components make the compact POS system extremely failsafe and durable. You can adapt and program the flexible, powerful software according to your requests; ergonomic design and a touch screen ensure convenient operation. Several industry-specific programs and peripheral devices can be connected to the POS 7 Mini VESA for optimum workflows.

Hardware

Technical data of the Vectron POS 7 Mini VESA POS system

Display diagonal	295 mm (11.6")
Display type	TFT-LCD
Display lighting	LED backlight
Display size (active)	256.3 × 144.2 mm
Display resolution	1920 x 1080 Pixel (Full HD)
Colours	16.7 million colours (true colour)
Input	Touch screen (projective-capacitive)
Housing	Coated metal and plastic
Processor	Intel Celeron 3965U
Main memory	4 GB DDR4
Mass storage	128 GB SSD Module
Network	10/100/1000 BASE-T; Ethernet; 1x RJ45
USB ports	2x USB 3.0 Typ C, 2x USB 3.0, 3x USB 2.0 (1 of which at the front)
Serial ports	2x DB9 (Powered RS232) (COM1 5V, COM2 5V)
Cash drawer port	1x RJ11
Display port	2x FeDP
Loudspeaker	Integrated loudspeaker
Power supply	Power supply POS 7
Power consumption	18.5 W max. 14.5 W in normal mode without external appliances 0.45 W in standby mode
Temperature	storage: -20 to 60 °C operation: 0 to 35 °C humidity: 20 to 85 %, non condensing
Dimensions (W x H x D)	see drawings
Weight	POS 7 Mini Display: 800 g Assembly System box POS 7: 1360 g VESA Mount Adapter POS 7: 220 g (plus 8 g for four screws)
Certified	FCC Class A, CE Mark Class A, LVD

Hardware

Technical data of the power supply POS 7

	90 Watt	120 Watt
Input voltage	100 to 240 V alternating voltage	
Output voltage	+ 19 V direct voltage	
Output current	max. 4.74 A	max. 6,32 A
Output power	max. 90 W	max. 120 W
Power consumption (idle)	0.07 W	0.21 W
Temperature	storage: -20 to 85 °C operation: 0 to 40 °C	storage: -30 bis 80 °C operation: 0 bis 40 °C
Humidity	operation: 8 to 90 %, non condensing	
Dimensions (W x H x D)	127 x 30.5 x 51 mm	131,7 x 25,8 x 69,6 mm
Weight	320 g	400 g
Certified	CE, UL	

Software

Technical data of the Vectron POS software

PLUs	1.000.000*
Departments	65,535*
Operators	2,000*
GC/Customer memory	65,535*
Cash registers per network	200*
Printers per network	100*
Graphic user interface	Gesture recognition (swipe) for fast navigation Use of own images and icons also with transparency channel Predefined high-resolution fonts
myVectron	Cloud-based myVectron services; integrated customer loyalty tools (e.g. individual campaigns, automatic processing of collection points, discount campaigns, vouchers)
Special features of the Light variant	All the server functions of the POS 7 Mini VESA Light can be used exclusively with a mobile Vectron POS system. Server is always the POS 7 Mini VESA Light. The use of mobile or hybrid Vectron POS systems in this type of network is limited to a maximum of 10 mobile POS systems, i.e. together with the POS 7 Mini VESA Light you can enter max. 11 POS systems in network. Apart from receiving programming updates, the POS 7 Mini VESA Light connects only to a mobile Vectron POS system. Peripheral use is possible within the existing scope.

DATASHEET

VECTRON POS 7 MINI VESA

Upgrade to a normal POS 7 Mini VESA is possible by purchasing the corresponding upgrade license.

* Theoretical maximum values, which can only be obtained with special programming and optimum hardware equipment. The available functions also depend on the software version used and the programming of the POS system. Contact your Vectron specialist retailer for assessment/realization of your actual demands.

Scope of delivery

Vectron POS 7 Mini VESA

Standard shipment

POS 7 Display 11.6" incl. 2 m POS 7 display cable (to system box)

Assembly System box POS 7, consisting of system box POS 7, heat sink, mounting angle

VESA Mount Adapter POS 7

Power supply POS 7 incl. power cable

Operator lock L1 POS 7 (Dallas standard lock) with four operator keys, mounting to both sides of the display possible

Vectron POS software with licence

Security and installation instructions

Dispatch box

Optional accessories

Operator lock L2 POS 7 (iButton Magnet)

Customer display C11 POS 7 incl. VESA-Mount Adapter POS 7 and 2 m POS 7 display cable

Scanner S1 POS 7

Plastic spudger POS 7

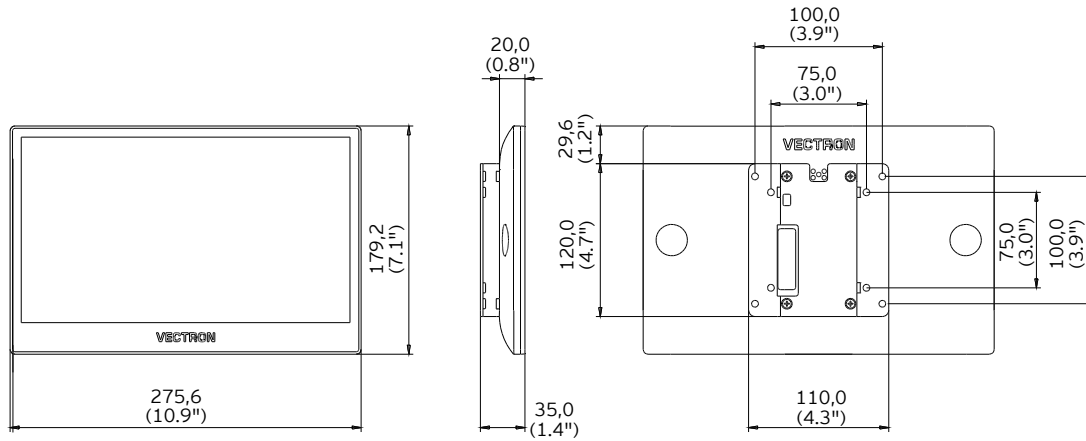
Drawer multiplexer POS 7

Serial cable

Dimensions

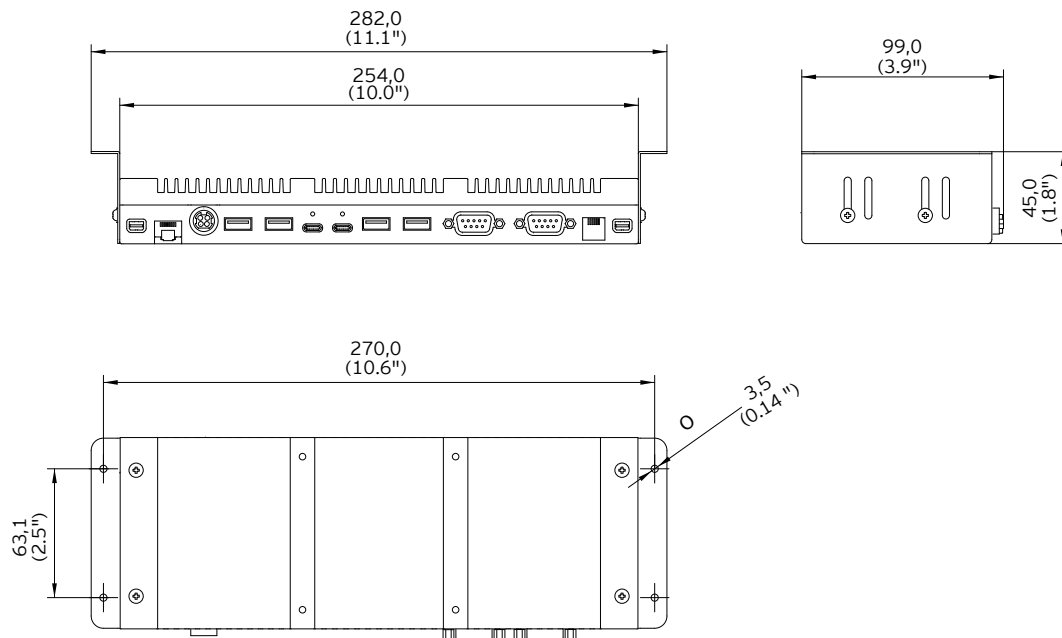
Dimensions in mm and inch

Dimensions operator display Vectron POS 7 to VESA Mount Adapter



The display Vectron POS 7 Mini features the same dimensions as the customer display C11 POS 7.

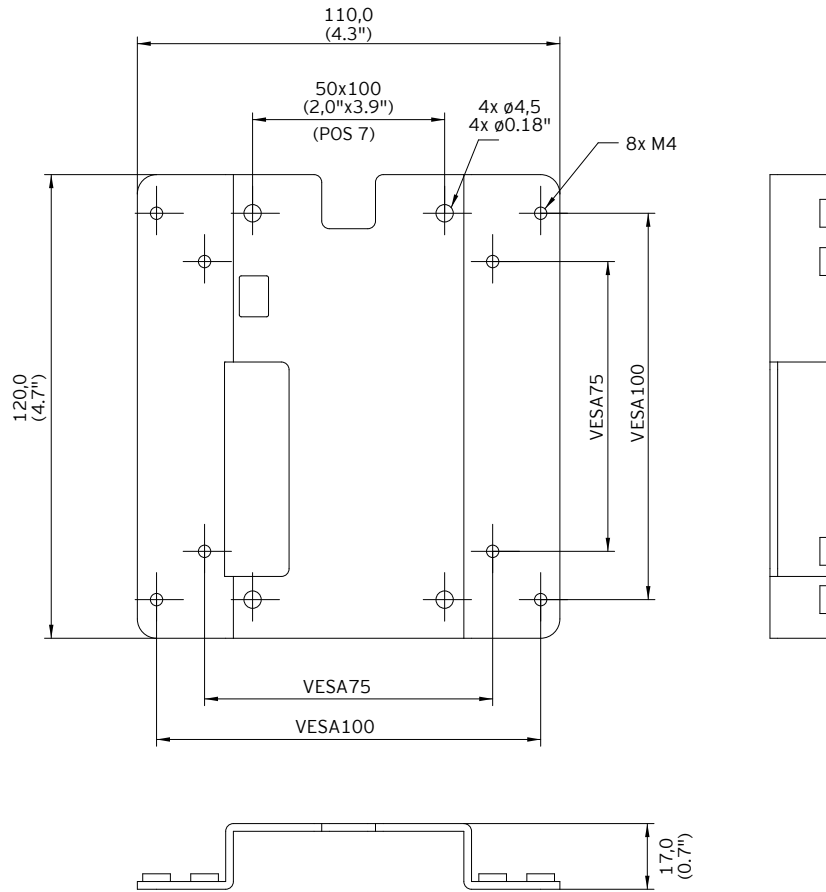
Dimensions system box incl. heat sink



DATASHEET

VECTRON POS 7 MINI VESA

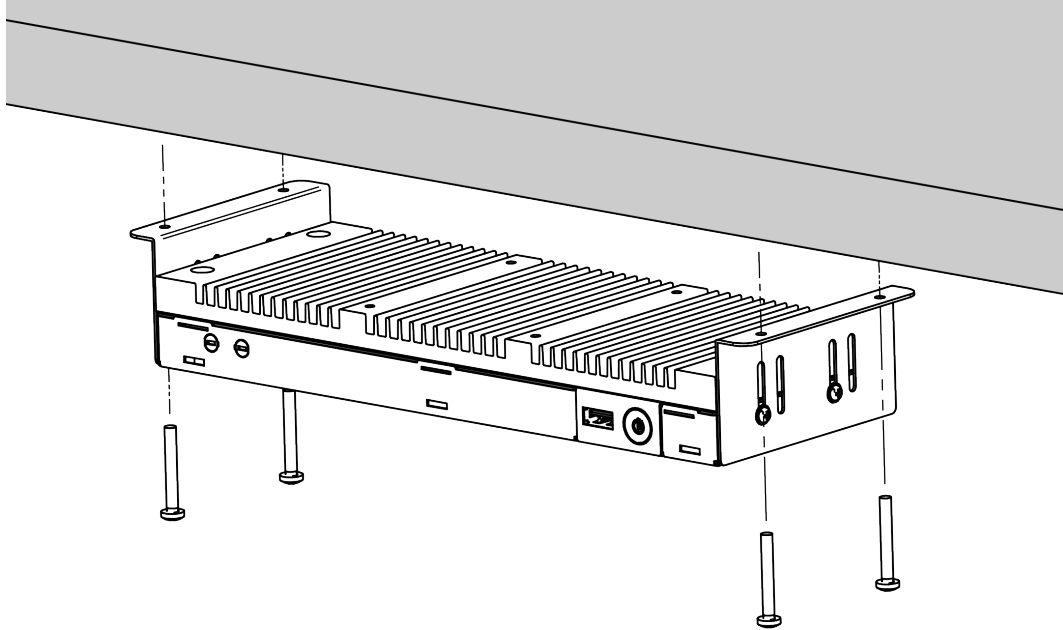
Dimensions VESA Mount Adapter



Mounting

Mounting options system box incl. heat sink

Under-table mounting (ventilation slots heat sink to table top)



Wall mounting (ventilation slots heat sink vertical and facing away from the wall)

