

System concept

Vectron POS MobilePro III is a robust and absolutely waterproof mobile POS system, which is perfectly suitable for indoor and outdoor use. The high-quality TFT-LCD with glass surface and backlight boasts good legibility in daylight as well as in artificial light.

Thanks to the combination of capacitive touch and keyboard, the POS system is extremely fast to operate and especially recommended for companies with high customer frequency or at peak times. Its light weight and ergonomic shape make it a particularly convenient and comfortable tool. Vectron POS MobilePro III does not require an extra server station but is a fully-fledged device, providing all the functions of a stationary POS system.



Hardware

Technical data of the MobilePro III POS system	
Display	8.89 cm (3.5") TFT-LCD with Blanview technology (low power consumption and excellent outdoor legibility)
Lighting	LED-backlight
Display size (active)	53.2 x 71 mm; active
Resolution	480 x 640 pixel
Colours	up to VPOS version 5.x: 256 colours as of VPOS version 6.0.0.0: True Color
Input	capacitive touch screen and keyboard
Housing	two-part, aluminium and PC-plastic (shock- and waterproof)
Processor	Marvel PXA 168, 1066 MHz
Main memory	512 MB DDR2-SRAM
Cache	1 MB SRAM
Mass storage	4 GB Flash memory
Ports	WLAN, Bluetooth, Micro-SD card, Micro-USB, Chip card
Wireless LAN	IEEE 802.11b/g/n (safety standard: WEP/WPA2-PSK)
Bluetooth	2.0
Transponder	TagIt, prepared for use of Mifare cards
Audio	buzzer
Tilt sensor	three-axes-tilt sensor
Battery compartment lid sensor	detection of open battery compartment lid
Vibration alarm	integrated
Power supply	lithium-polymer battery with 3000 mAh
Buffer battery	for permanent power supply of cache
Power consumption	7.5 W in normal operation; 0.03 W in standby

DATA SHEET

VECTRON MOBILEPRO III POS SYSTEM



Technical data of the MobilePro III POS system	
Temperature	storage: -20 to 70 °C operation: -10 to 50 °C
Air humidity	10 to 80 %, non condensing
Dimensions (W x H x D)	75 x 183 x 22 mm
Weight	240 g without battery
Certified	CE

Technical data of MobilePro III POS system battery B60	
Type	Lithium-polymer battery
Charging capacity	3000 mAh
Voltage	3.7 V
Temperature	storage: -20 to 35°C charging: 5 to 40°C cell temperature discharging: -10 to 60°C cell temperature
Air humidity	45 to 85 %, non condensing
Service life	ca. 500 charge cycles
Dimensions (W x H x D)	46 x 68 x 12.6 mm
Weight	70 g

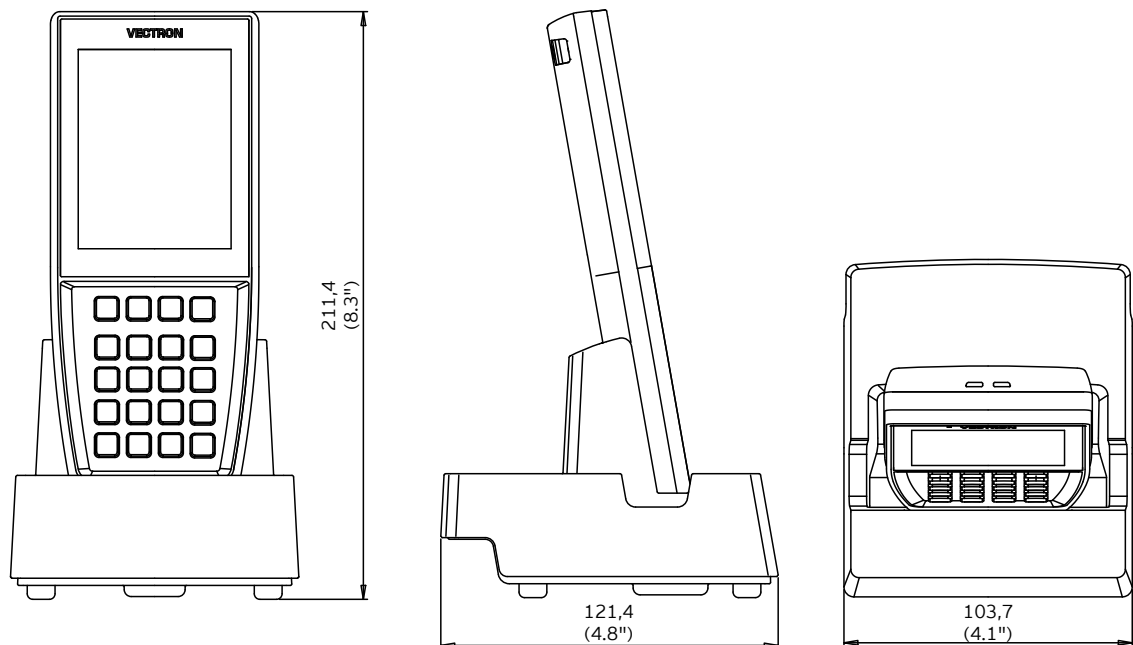
Software

Technical data of Vectron POS software	
PLUs	1,000,000*
Departments	65,535*
Operators	2,000*
Guest checks/customers	65,535*
Cash registers per network	200*
Printers per network	100*
User interface as of VPOS version 6.0.0.0	gesture recognition (swipe) for fast navigation use of own images and icons also with transparency channel pre-defined high-resolution fonts
bonVito	unrestricted support of the bonVito online marketing tool (liable to costs - more information and prices at www.bonvito.net)
*	The indicated values are maximum values, which can only be reached with special programming and optimum hardware equipment. Please contact your Vectron dealer to assist you with your special requirements.

Shipment

Vectron MobilePro III POS system	
Standard shipment	Vectron MobilePro III POS system
	One battery Vectron B60
	Vectron POS software with licence as per order
	Notes on safety and installation
Optional accessories	Dispatch box
	11050012 - Leather holster MobilePro
	11050013 - Belt MobilePro
	11050017 - Safety strap Vectron MobilePro
	10260002 - MobilePro III battery charging station (without power supply)
	10260003 - MobilePro III charging station (without power supply)
	10260004 - MobilePro III charging station set (without power supply)
	20090104 - Battery B60
30010032 - WLAN Access Point Professional	

Dimensions (in mm and inch)



DATA SHEET
VECTRON MOBILEPRO III POS SYSTEM

