



System concept

The 10.4" customer display Vectron C100 is suitable for display of sales information, logos and advertising images. The images can also be shown as slide show. Furthermore, event-related campaigns/texts can be released on the display. The Vectron C100 can be connected directly to the stationary POS systems Vectron POS Mini II, Vectron POS Vario II and Vectron POS Touch.

The customer display is alternatively available as pole variant, which is also compatible to Vectron POS SteelTouch II. For optimum alignment to the client's position, the tilt angle of the high-resolution graphical display with LED backlight is fully adjustable.



Hardware

Technical data of the Vectron C100	
Screen diagonal	26,4 cm (10.4")
Display type	TFT-LCD with LED backlight
Lighting	white LED backlight
Resolution	800 x 600 pixels
Colours	up to 65.536
Contrast	500:1
Brightness	180 cd/m2
Viewing angle	horizontal 75°, vertical 50° (bottom) or 60° (top)
Supported POS models	Vectron POS Mini II; Vectron POS Vario II; Vectron POS Touch, Vectron POS SteelTouch II (only pole variante)
Housing	ABS plastic housing; imprinted glass in front of the LCD
Connection	via internal cable to POS system or per USB standard cable to one of the USB ports of the POS system
Power supply	Integrated version: via the POS system per internal display cable Pole versions: per USB cable
Temperature	Storage: -10 to 50 °C Operation: 0 to 40 °C
Display support	VESA 75 Norm
Dimensions	see drawing
Weight	900g without hinge for mounting of POS system 1412g pole version





Software

Technical data of the Vectron C100	
System requirements	Vectron POS system with K5-electronics and operating system 2.0.1.2 or higher and software version 5.4.2.0 (or higher) or in addition in 5.3 path version 5.3.10.0 (or higher).
Display partition	various layouts selectable
Image display	background image and slide show possible
Slide show	full screen and/or integrated in booking display; intervals adjustable
Supported file formats	JPEG
Colours	font- and background colours adjustable
Character sets	Latin 1, Latin 2, Latin 9
Display of entries	adjustable via output formats
Hold buffer floating	is supported

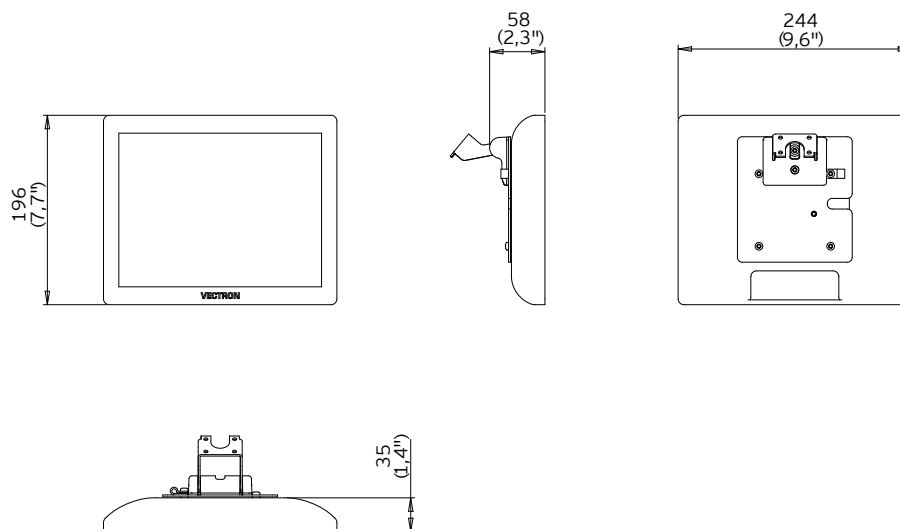
Shipment

Vectron C100	
Order variants	20040063 Customer display Vectron C100 integrated at POS system optional accessories: mounting set for the respective POS system (hinge, covers, screws)
	11010213 Customer display Vectron C100 Pole (incl. connection cable)

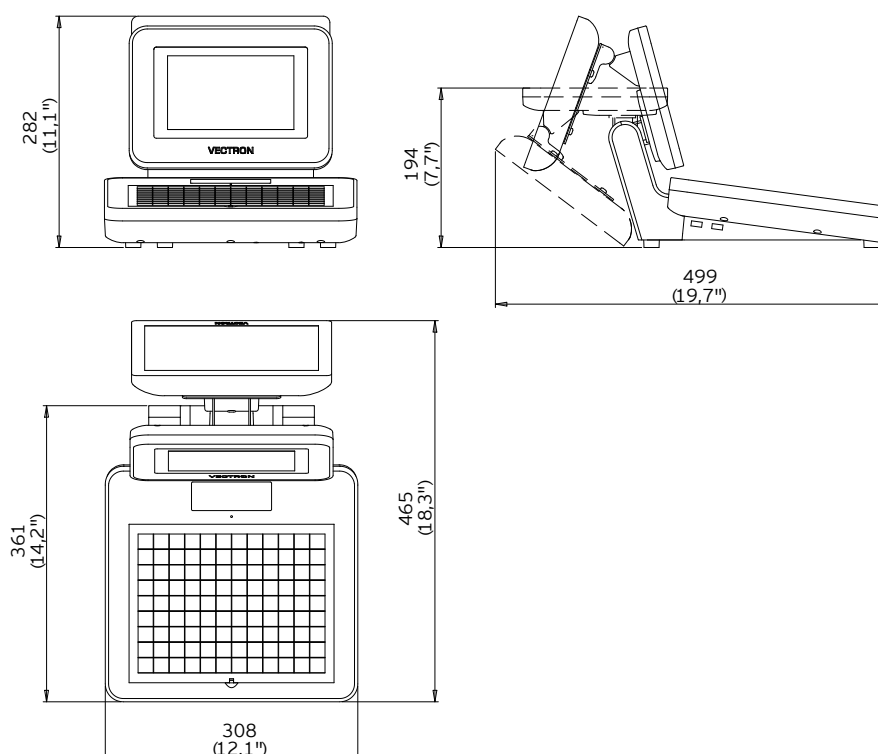


Dimensions (in mm and inch)

Dimensions customer display Vectron C100



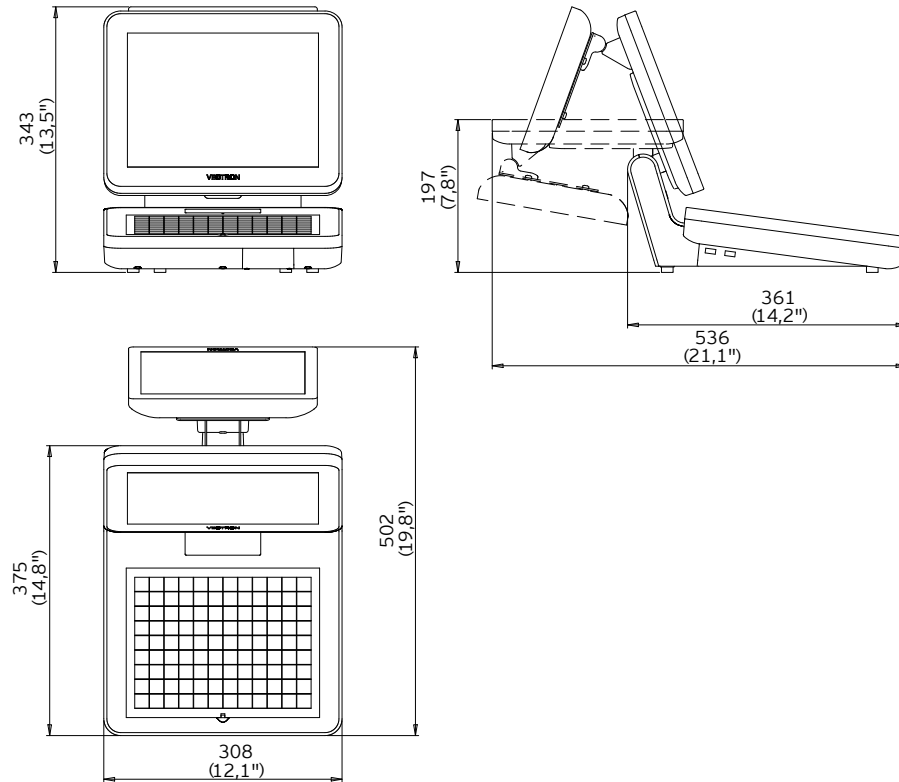
Dimensions customer display Vectron C100 to Vectron POS Mini II



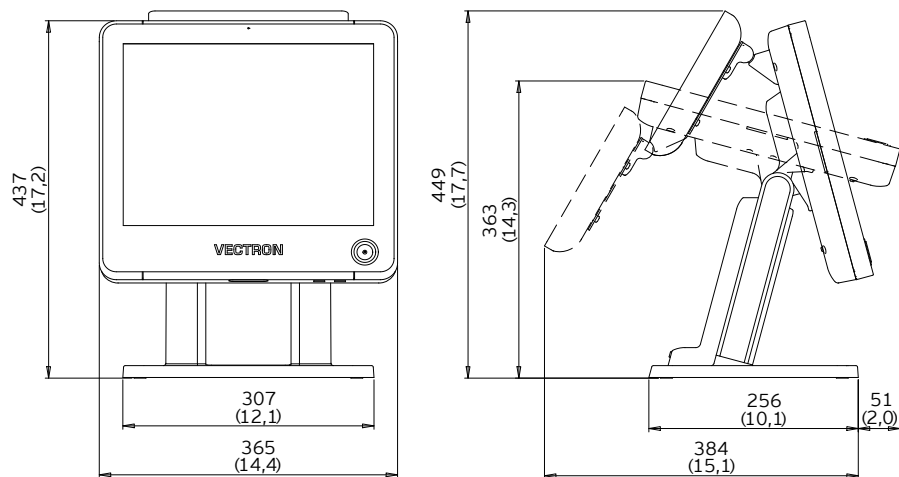
DATA SHEET
CUSTOMER DISPLAY VECTRON C100



Dimensions customer display Vectron C100 to Vectron POS Vario II



Dimensions customer display Vectron C100 to Vectron POS Touch 15



DATA SHEET CUSTOMER DISPLAY VECTRON C100



Dimensions customer display Vectron C100 pole version

