

ServiceCall Mini transceiver MS10 and Table transceiver TS10 - Technical data

- Wireless service-call-system, no installation required
- Radio transmitter to release a service call (free of charge, not subject to registration) with call acknowledgement and automatic repetition
- UHF-sender, transmitting power approx. 6mW ERP
- 868,87 MHz
- Range up to 150 m outdoor
- Call button with comprehensible service symbol in traffic red (RAL 3020)
- LED-control
- 3V-Lithium-battery (CR2032) for min. 50.000 calls
- Dust- and splash proof (IP64)
- Temperature range: -10 to +50° C

ServiceCall Table transceiver TS10

- Colours: inner part pearl light grey (RAL 9022), ring pure white (RAL 9010)
- Dimensions: Ø 110 mm, height 20 mm
- Weight: 83 g

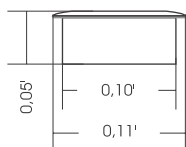
Transparent acryl display:

- Double-walled 2 x 2 mm
- Attachment with Velcro® fastening 40 mm Ø
- Dimensions: H 150 mm, W 100 mm
- Weight: 94 g

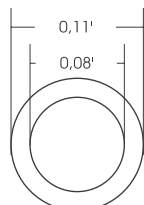


ServiceCall Mini transceiver MS10

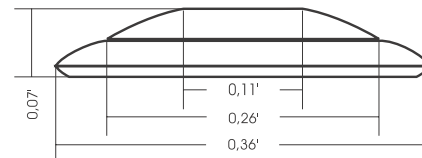
- Easy to install e.g. in beer garden-tables, in arm rests of sunbeds, beach chairs etc.
- Colour: pearl light grey (RAL 9022)
- Dimensions: Ø 35/30 mm, height 14 mm
- Weight: 9 g



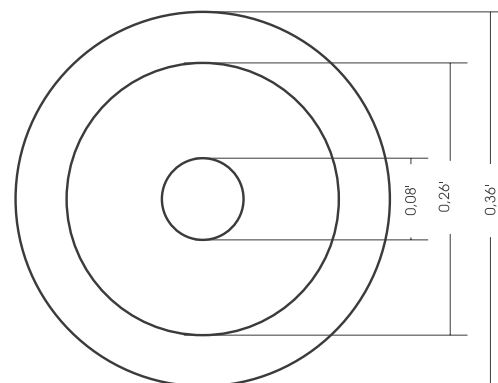
Side view



View from top



Side view



View from top

Vectron

Leading in POS Technology

ServiceCall Receiver RC10

- Reception of coded radio calls of the individual transceivers, data output to the stationary POS system
- For optimum reception place the antenna module as high on the wall as possible
- Wall attachment with nail/screw and additional Velcro® tape (nail and Velcro® tape incl.)
- Suitable only for indoor use*
- RJ-45 plug for direct connection to a Vectron POS system
- Power supply via external power pack Vectron PS20 (230Vac/24Vdc)
- 868,87 MHz
- Port: RS232
- 38.400 Baud, 8 data bits, 1 stop bit, no parity, no handshake
- Colour: light grey (RAL 7035)
- Dimensions: H 143 mm, W 57 mm, D 24 mm
- Cable length: 4,5 m
- Weight: 100 g (incl. cable 180 g)

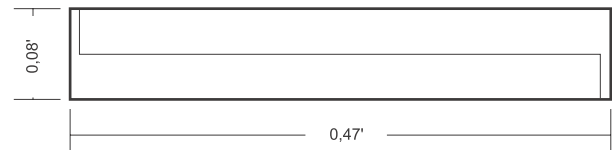
Housing ServiceCall RC10 and RP10 identical.



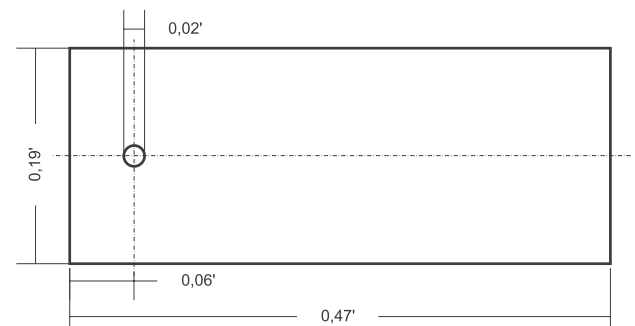
*) For outdoor use we recommend to apply special, waterproof housings. For information please refer to the specialized trade.

ServiceCall Repeater RP10

- To increase the radio range (simple or multiple call redirection), the repeater receives the radio calls of table- or mini transceiver and sends them with an increased transmitting power to the receiver
- Cascade connection of max. four repeaters
- For optimum reception place as high on the wall as possible
- Wall attachment with nail/screw and additional Velcro® tape (nail and Velcro® tape incl.)
- Suitable only for indoor use*
- Power supply via external power pack Vectron PS20 (230Vac/24Vdc)
- 868,87 MHz
- Colour: light grey (RAL 7035)
- Dimensions: H 143 mm, W 57 mm, D 24 mm
- Cable length: 3,0 m
- Weight: 140 g (incl. connected cable)



Side view



View from below



Vectron

Leading in POS Technology