

## System concept

The robust Vectron POS SteelTouch II has been developed for the highest demands. The successor of the popular Vectron POS SteelTouch offers increased performance thanks to the latest electronics. What was kept is the elegant full metal housing, which is extremely stable and has a water- and dustproof display front of stainless steel.

Thanks to its outstanding features, Vectron POS SteelTouch II is particularly suitable for use in difficult environments like in bakery shops or on restaurant counters. Even here it works absolutely reliably and boasts a long service life.



## Hardware

Technical data of SteelTouch II POS system		
	15"	17"
<b>Display diagonal</b>	38.1 cm (15")	43.1 cm (17")
<b>Display type</b>	TFT-LCD	
<b>Display backlight</b>	CCFL backlight	
<b>Display size (active)</b>	30.4 x 22.8 cm	33.7 x 27.0 cm
<b>Display resolution</b>	1024 x 768 pixel	1280 x 1024 pixel
<b>Colours</b>	up to 65,536	
<b>Input</b>	touch screen	
<b>Housing</b>	rear black, powder-coated metal; frame in brushed stainless steel	
<b>Stand</b>	black; powder-coated aluminium	
<b>Processor</b>	Marvell ARMADA 168, 1066 MHz	
<b>Main memory</b>	512 MB DDR2-RAM	
<b>Cache</b>	1 MB SRAM	
<b>Mass memory</b>	4 GB Flash memory	
<b>Network</b>	10/100BASE-T; Ethernet	
<b>USB ports</b>	8x USB 2.0; type A; 2 of which at the left side	
<b>Serial ports</b>	6x RS232; type RJ45; for additional devices	
<b>Cash drawer ports</b>	2x type RJ12; for up to four cash drawers with Y-cable	
<b>Audio socket</b>	3.5 mm jack; stereo; for loudspeaker	
<b>Operator socket</b>	3.5 mm jack; for Dallas iButton and Addimat locks	
<b>SD-card slot</b>	for SD-cards up to 4 GB and SDHC-cards up to 32 GB	
<b>Loudspeaker</b>	mono; 2 W	
<b>Power supply</b>	through external power supply Vectron PS30; integrated in stand	
<b>Buffer battery</b>	for permanent power supply of the cache	

# DATA SHEET

## VECTRON POS STEELTOUCH II



Technical data of SteelTouch II POS system		
	15"	17"
<b>Power consumption</b>	18 W in normal operation without external devices; 0.5 W in standby	33 W in normal operation without external devices; 0.5 W in standby
<b>Temperature</b>	storage: -10 to 50 °C operation: 0 to 40 °C	storage: -10 to 50 °C operation: 0 to 35 °C
<b>Dimensions (W x H x D)</b>	see drawings	
<b>Weight</b>	approx. 9.5 kg	approx. 11.5 kg
<b>Certified</b>	CE	

Technical data of power supply Vectron PS30	
<b>Input voltage</b>	100 to 240 V alternating voltage
<b>Input current</b>	max. 1.07 A
<b>Output voltage</b>	+ 24 V direct current
<b>Output current</b>	max. 3.3 A
<b>Output power</b>	max. 80 W
<b>Power consumption</b>	max. 93 W
<b>No-load loss</b>	0.3 to 0.5 W
<b>Temperature</b>	storage: -40 bis 85 °C operation: 0 bis 40 °C
<b>Air humidity</b>	operation: 5 to 95 %, non condensing
<b>Dimensions (W x H x D)</b>	7.6 x 14.6 x 4.3 cm
<b>Weight</b>	585 g
<b>Certified</b>	CE, UL

## Software

Technical data of Vectron-POS software	
<b>PLUs</b>	100,000*
<b>Departments</b>	65,535*
<b>Operators</b>	1,000*
<b>Guest checks or customers</b>	65,535*
<b>Cash registers per network</b>	200*
<b>Printers per network</b>	100*

\*

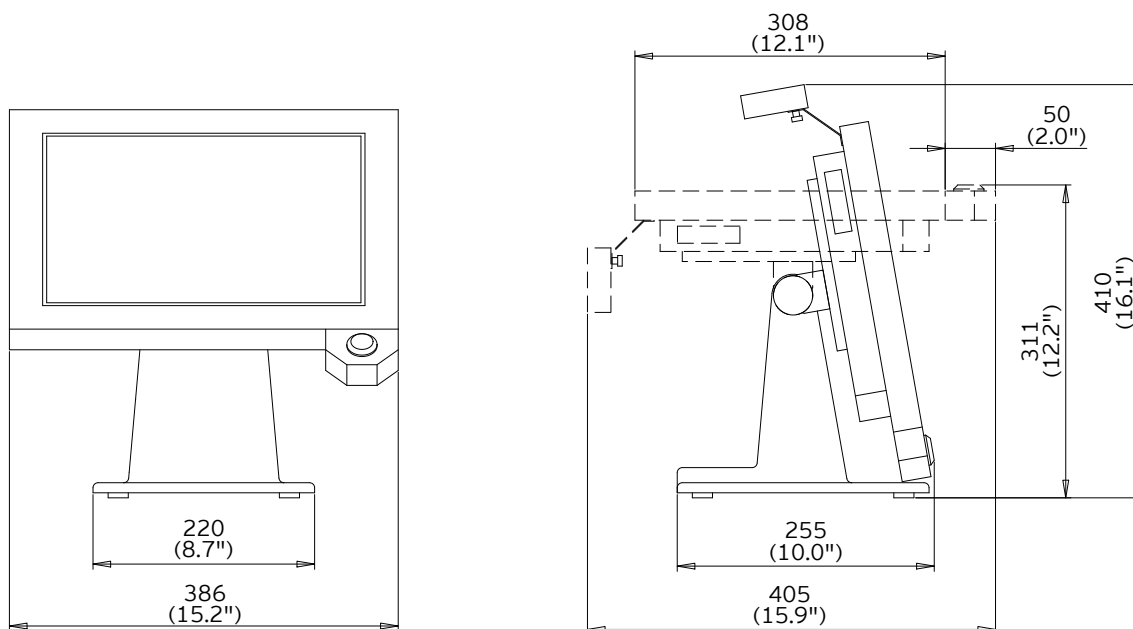
The indicated values are maximum values, which can only be reached with special programming and optimum hardware equipment. The available functions also depend on the used software version and the programming of the POS system. Please contact your Vectron dealer to assist you with your special requirements.



# Shipment

Vectron POS SteelTouch II	
<b>Standard shipment</b>	Vectron POS SteelTouch II POS system Operator lock Dallas iButton 5 port covers (one port cover for the whole ports bracket; two covers for the SD-card- and SIM-card slot) Stand S50 Power supply Vectron PS30 Power cord Vectron POS software with licence User manual Dispatch box
<b>Optional accessories</b>	2 x 20 line customer display Operator lock Dallas iButton Magnet Operator lock Dallas iButton Addimat

## Dimensions 15" (in mm and inch)





# Dimensions 17" (in mm and inch)

