

# Vectron Systems AG – Data sheet

## Vectron POS MobilePro charging station

August 2005

### Technical data

- Charging station for simultaneous charging of one terminal and two batteries
- Terminal can be operated in the charging station
- PC-ABS-plastic housing with metal bottom
- Permissible supply voltage 12 - 30V
- Max. power consumption depending on voltage
- Max. wattage 30W
- External power supply:
  - input voltage 90 - 240V
  - output voltage 24V max. 1,25A
  - country-specific adapter
- Charging time approx. 2,5 h
- Temperature range (operating condition): 0° - 40°C (for reasons of safety batteries are only charged as of 5°C)
- 4 rubber feet
- Weight: approx. 600 g

Certificates: CE, UL

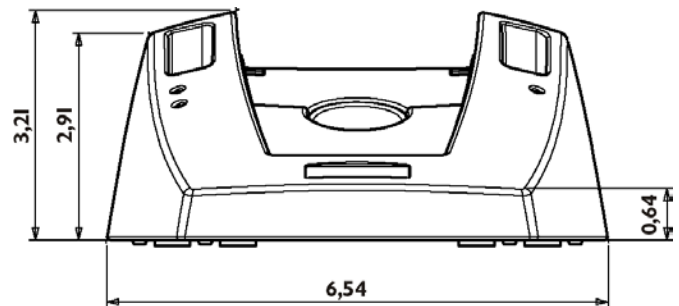


### Shipment

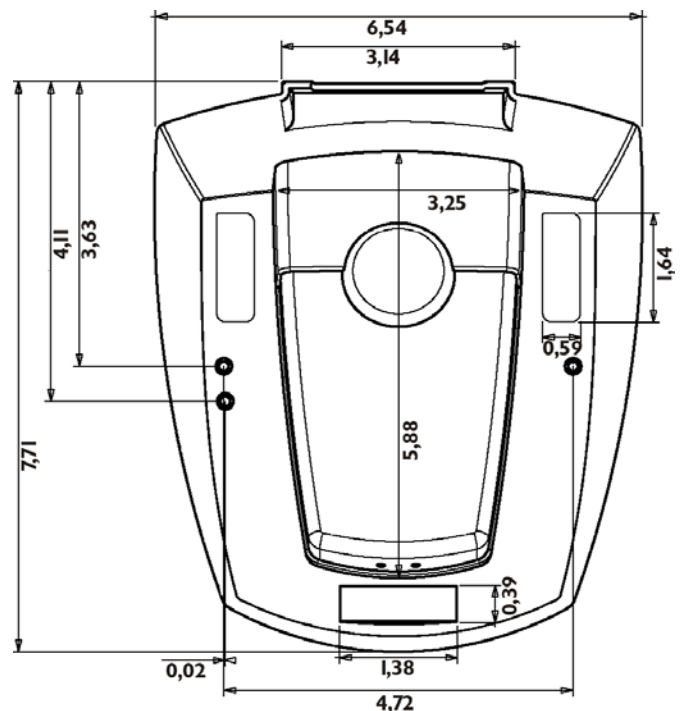
Standard delivery of the Vectron POS MobilePro charging station includes:

- Charging station for one terminal and two batteries
- External power supply
- Dispatch box VPOS MobilePro charging station

### Dimensions



Charging station front - dimensions in inch



Charging station top - dimensions in inch



**Vectron Systems AG**  
Willy-Brandt-Weg 41  
48155 Muenster / Germany  
www.vectron.de

# Vectron

Leading in POS Technology

© Vectron Systems AG  
Subject to error and technical modification.